

FELLER-BUNCHER/HARVESTER 270L



ELTEC
BY LOGGERS FOR LOGGERS

ENTIRELY MANUFACTURED IN CANADA

ELTEC Feller-Bunchers/Harvesters have been designed to simplify the daily foresters' work. Combining advanced technical features, **ELTEC** Feller-Bunchers/Harvesters offer a comfortable working environment, which allows moving to another level of performance in the forestry.



EXTREMELY ROBUST DESIGN

Adapted design and premium materials help ELTEC Feller-Bunchers/Harvesters lift heavy loads and withstand different impacts. Better stability is ensured by the chassis-carrier with a very long wheelbase.



PERFORMING COOLING SYSTEM

- High capacity coolers suitable for extreme conditions
- Variable speed and reversible fan
- Specially designed grate which prevents debris from entering the cooler
- Rear coolers which ensure cleaner air aspiration



ACCESIBILITY FOR THE SERVICE

The spacious engine compartment with steel catwalks is designed to simplify service and maintenance. Once opened, the hood is transformed into a platform for component service. The filtration system is accessible for cartridge replacement. Excellent access to batteries is available as well.



SPACIOUS CAB

All ELTEC Feller-Bunchers/Harvesters have a sound-proof and insulated cab equipped with a pneumatic suspension heated seat with multiple adjustments. The front full-height 32mm (1.25") polycarbonate window provides a peerless overview. To ensure superior comfort, ELTEC feller-Bunchers/Harvesters feature a high-capacity, integrated HVAC system with multiple adjustable airflows. The radio with a CD player and USB port are also available.



CONTROL DEVICES

- Joystick and electronic pedals for operation functions
- Keyboard (2) with power and service functions
- Color screen with full machine interface
- Electronic controls with all programmable functions

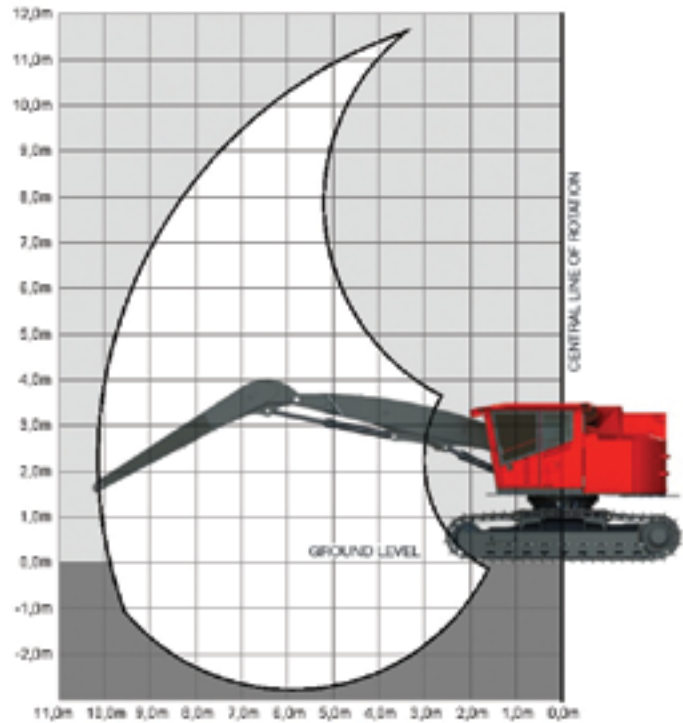


With all these specifications the **ELTEC** Feller-Bunchers/Harvesters will exceed the most demanding expectations of professional foresters.

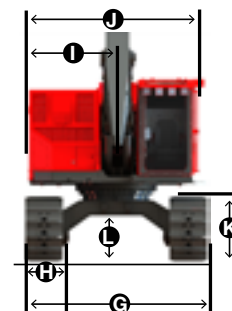
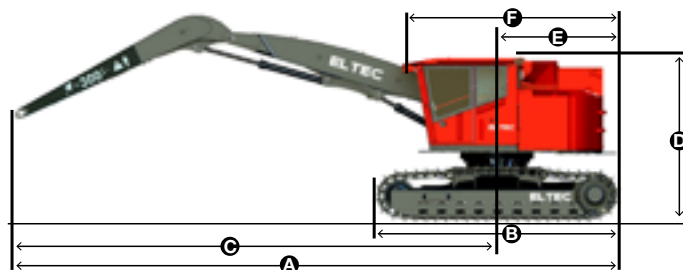
SPECIFICATIONS

| POWER | |
|--------------------------------|---|
| Cummins QSL9 T4 diesel engine | 239 kw (320hp) @ 2 100 rpm |
| Cummins QSL9 T3 diesel engine* | 239 kw (320hp) @ 2 100 rpm |
| CAPACITY | |
| Fuel Tank | 1 737 L / 429 gal US |
| Hydraulic Tank | 284 L / 75 gal US |
| TRACTION DRIVE | |
| D6 | 35 555 kg / 85 000 lbs |
| D7 | 45 359 kg / 100 000 lbs |
| MOVEMENT SPEED | |
| Low | 2,2 km/hr / 1,4 mph |
| Medium | 3,0 km/hr / 1,86 mph |
| High | 4,2 km/hr / 2,5 mph |
| ELECTRICAL SYSTEM | |
| Voltage | 24 V |
| Alternator | 110 amp |
| Batteries | 2 x 1 150 amp |
| Motion alarm | |
| Lightning | LED |
| COOLING SYSTEM | |
| Type | Side by side heavy-duty |
| Fan | Adjustable reverse cycle, 1 143 mm / 45" |
| CHASSIS CARRIER | |
| Chain | D7 - 216 mm / 8,5" |
| Track | 710 mm / 28" |
| Undercarriage | D7 Tractor type (9) |
| SWING DRIVE | |
| Large capacity swing bearing | 1 550 mm / Ø61" |
| Continuous rotation | 8 rpm |
| Torque | 115 243 Nm / 85 000 lb/ft |

| BOOM SYSTEM | | |
|---------------------------------------|----------------------|-------------------|
| Interchangeables Hydraulics Cylinders | 125 mm / 4,9" | |
| Optional cylinders | 135 mm / 5,3" | |
| FH30HD | Minimum Reach | 3 175 mm / 10'5" |
| | Maximum Reach | 9 169 mm / 30'1" |
| FH33 | Minimum Reach | 2 500 mm / 8'2" |
| | Maximum Reach | 10 100 mm / 34'7" |
| LIFTING CAPACITY AT BARE PIN | | |
| FH33 | 3 894 kg / 8 587 lbs | |
| FH30HD | 4 159 kg / 9 150 lbs | |



| MEASURES | | |
|----------|--------------------------------|------------------------|
| A | Overall Length | 11 048 mm / 36'3" |
| B | Overall Track Length | 5 207 mm / 17'1" |
| C | Bare Pin | 10 134 mm / 33'3" |
| D | Overall Height | 3 453 mm / 11'4" |
| E | Tail Swing (From Swing Center) | 1 803 mm / 5'11" |
| F | Upper Structure Overall Length | 3 581 mm / 11'9" |
| G | Traction Overall Width | 3 472 mm / 11'4" |
| H | Track Width | 710 mm / 2'4" |
| I | Tail Swing (From Swing Center) | 1 651 mm / 5'5" |
| J | Upper Structure Overall Width | 3 300 mm / 10'10" |
| K | Track Height | 1 220 mm / 4'0" |
| L | Minimum Ground Clearance | 864 mm / 2'10" |
| | Weight** | 29 900 kg / 65 700 lbs |



* export only

**Basic without accessories

SPECIFICATIONS

FB270L

| POWER | |
|--------------------------------|----------------------------|
| Cummins QSL9 T4 diesel engine | 239 kw (320hp) @ 2 100 rpm |
| Cummins QSL9 T3 diesel engine* | 239 kw (320hp) @ 2 100 rpm |

| CAPACITY | |
|----------------|----------------------|
| Fuel Tank | 1 737 L / 429 gal US |
| Hydraulic Tank | 284 L / 75 gal US |

| TRACTION DRIVE | |
|----------------|-------------------------|
| D6 | 35 555 kg / 85 000 lbs |
| D7 | 45 359 kg / 100 000 lbs |

| MOVEMENT SPEED | |
|----------------|----------------------|
| Low | 2,2 km/hr / 1,4 mph |
| Medium | 3,0 km/hr / 1,86 mph |
| High | 4,2 km/hr / 2,5 mph |

| ELECTRICAL SYSTEM | |
|-------------------|---------------|
| Voltage | 24 V |
| Alternator | 110 amp |
| Batteries | 2 x 1 150 amp |
| Motion alarm | |
| Lightning | LED |

| COOLING SYSTEM | |
|----------------|---|
| Type | Side by side heavy-duty |
| Fan | Adjustable reverse cycle, 1 143 mm / 45" |

| CHASSIS CARRIER | |
|-----------------|---------------------|
| Chain | D7 - 216 mm / 8,5" |
| Track | 710 mm / 28" |
| Undercarriage | D7 Tractor type (9) |

| SWING DRIVE | |
|------------------------------|---------------------------|
| Large capacity swing bearing | 1 550 mm / Ø61" |
| Continuous rotation | 8 rpm |
| Torque | 115 243 Nm / 85 000 lb/ft |

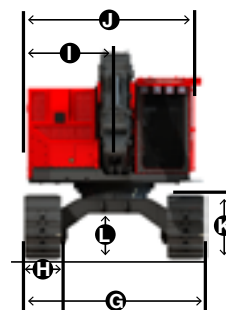
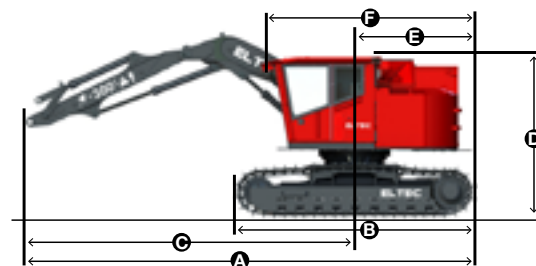
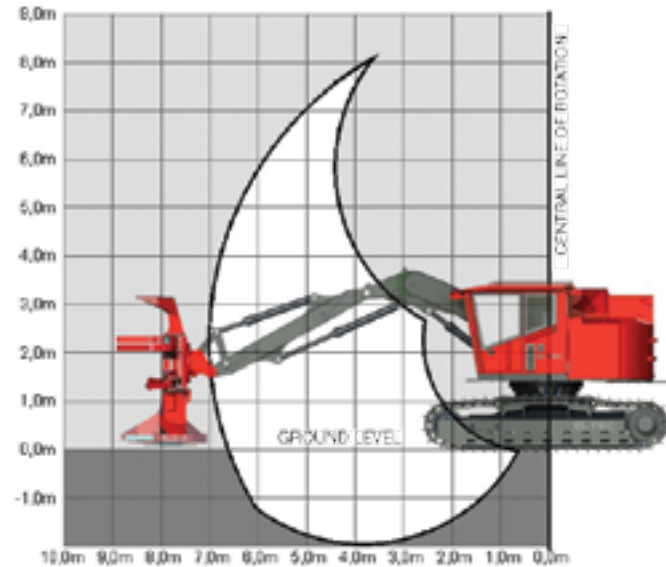
| MEASURES | | |
|----------|--------------------------------|-------------------------|
| A | Overall Length | 12 014 mm / 39'5" |
| B | Overall Track Length | 5 207 mm / 17'1" |
| C | Bare Pin | 6 985 mm / 22'11" |
| D | Overall Height | 3 453 mm / 11'4" |
| E | Tail Swing (From Swing Center) | 2 260 mm / 7'5" |
| F | Upper Structure Overall Length | 4 200 mm / 13'10" |
| G | Traction Overall Width | 3 472 mm / 11'4" |
| H | Track Width | 710 mm / 2'4" |
| I | Tail Swing (From Swing Center) | 1 651 mm / 5'5" |
| J | Upper Structure Overall Width | 3 300 mm / 10'10" |
| K | Track Height | 1 220 mm / 4'0" |
| L | Minimum Ground Clearance | 864 mm / 2'10" |
| | Weight** | 33 475 kg / 73 8000 lbs |

* export only

**Basic without accessories

| BOOM SYSTEM | | |
|---------------------------------------|---------------|-------------------|
| Interchangeables Hydraulics Cylinders | | 125 mm / 4,9" |
| Optional cylinders | | NA |
| FB26 | Minimum Reach | 4 200 mm / 13'11" |
| | Maximum Reach | 8 500 mm / 28' |
| FB28 | Minimum Reach | 4 600 mm / 14' |
| | Maximum Reach | 8 690 mm / 28'6" |

| LIFTING CAPACITY AT BARE PIN | |
|------------------------------|-----------------------|
| FB26 | 7 012 kg / 15 428 lbs |
| FB28 | 7 602 kg / 16 761 lbs |





ELTEC

BY LOGGERS FOR LOGGERS



Technologies Élément PSW Inc

1117, rue des Manufacturiers

Val-d'Or (Québec) Canada J9P 6Y7

T. 819 825-1117 F. 819 825-7777

technologieselement.com