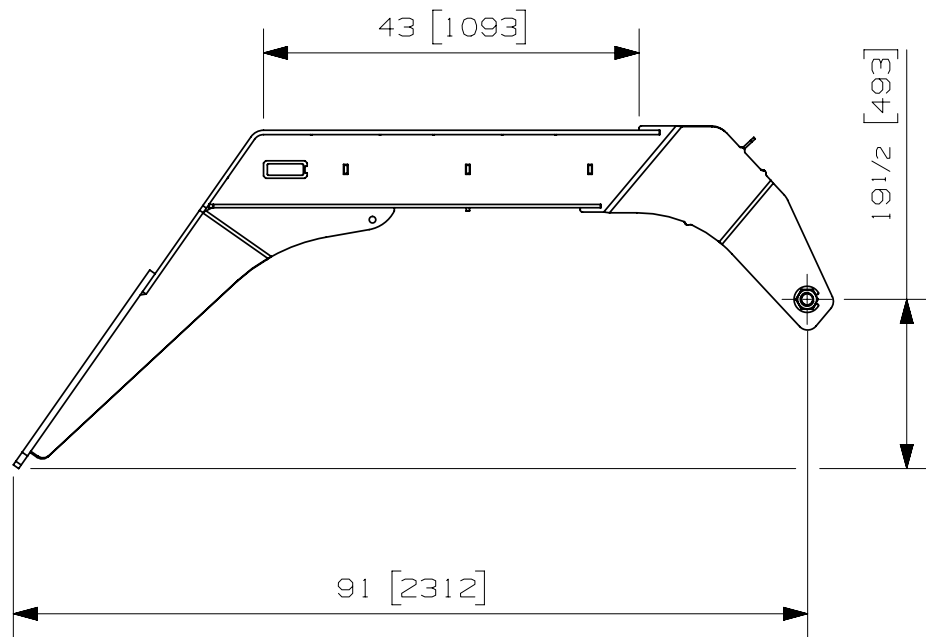
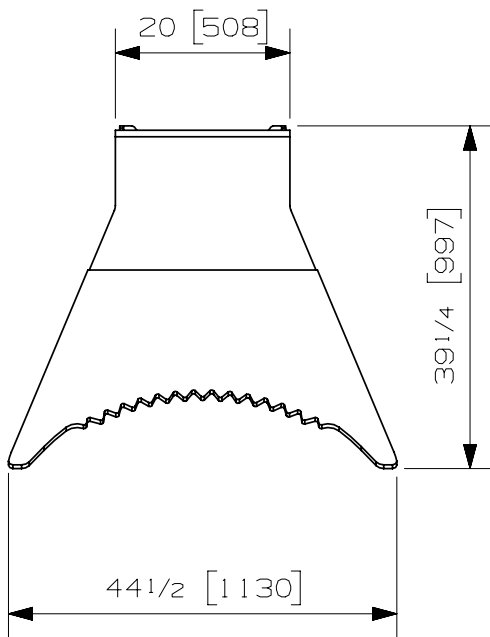


Excavator class:	35000 to 50000 lb	16 to 23 Tonnes
Loader lifting capacity at 20 feet:	10000 to 15500 lb	4540 to 7040 kg
Weight (w/o lugging):	885 lb	400 kg
Suggested log grapple (for 100% tree length):	4048HD-RT504	
Suggested combination grapple (for 70% tree length):	060CHDRT504	
Suggested combination grapple (for 30% tree length):	100C-RT504	



Options:

- Custom lugging
- Tool cylinder
-
-

web site: www.rotobec.com

email: rotobec@rotobec.com

Rotobec Inc.: Head office serving OEM's and Eastern Canada Ph: (418) 383-3002 Fax: (418) 383-5334
Rotobec West: Branch serving Western Canada and Western USA Ph: (250) 765-1161 Fax: (250) 765-0035
Rotobec USA: Branch serving Eastern and Central USA Ph: (603) 444-2103 Fax: (603) 444-0327