



ROTOBEC

TOUGH HANDLING EQUIPMENT

Bunching Grapples

Appreciated by forestry contractors for their versatility, Rotobec's bunching grapples excel in loading and unloading short and long wood in the forest.



Features:

- ❖ High pressure cylinders.
- ❖ Bolt on cylinder heads for cost effective maintenance.
- ❖ Jaws bypass providing a firm grip on small logs as well.



Rotation Specifications

Rotator Model	Swing Torque (in lb)	Axial Lift Capacity (lb)	Weight (lb)	Machine Size (lb)
RT-252	16150	25000	270	30,000 to 40,000
RT-322	16150	32000	310	30,000 to 50,000
RT-502-STD	18630	50000	445	45,000 to 75,000
RT-502-STD-HT	23260	50000	445	45,000 to 75,000
RT-1002-STD-HT	27910	100000	685	75,000 to 110,000

Note: Machine sizes indicated above, do not include machines with a live heel. Rotobec recommends contacting your local Rotobec representative before sizing any rotation.

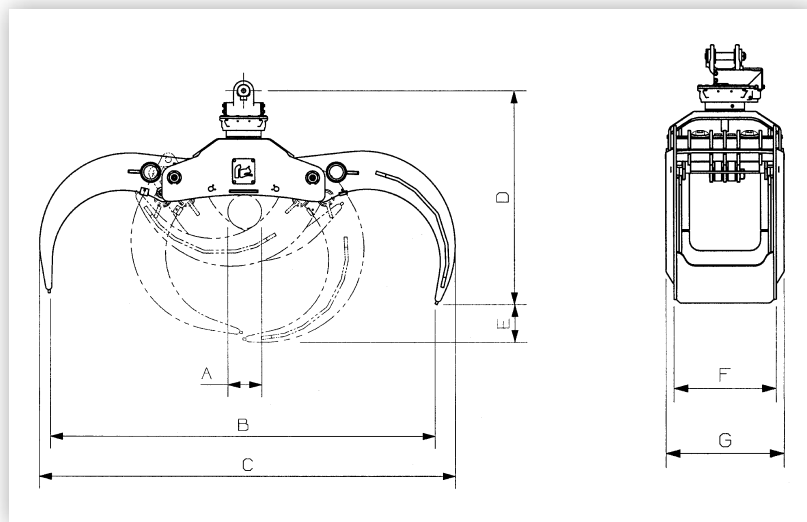


Technical Data

Bunching Grapples

Series	Super Heavy-Duty Models			Heavy-Duty Models			
Model	F360SHD	F420SHD	F520SHD	F640HD	F800HD	F1000HD	F1250HD
Capacity in square meters	0.36	0.42	0.52	0.61	0.80	1.00	1.25
Capacity in cords of 8"wood (when tip to tip)	0.24	0.28	0.35	0.41	0.54	0.67	0.84
Capacity in cords of 8"wood (practical)	0.30	0.35	0.45	0.53	0.68	0.88	1.05
Capacity in square meters (practical)	0.45	0.52	0.65	0.80	1.00	1.25	1.50
A (in)	4 3/4	5	6	7 1/2	7 3/4	9 1/2	11
B (in)	73 1/2	77 3/8	83 3/8	96 3/4	107 3/4	118 3/8	126 1/8
C (in)	77 3/4	83	89 3/8	102 3/4	115 1/8	124 3/4	134 3/4
D with Rotator: (in)	RT-252	50 1/2	53	N/A	N/A	N/A	N/A
	RT-322	51 3/8	53 7/8	N/A	N/A	N/A	N/A
	RT-502-STD/HT	N/A	N/A	69 1/2	68 3/8	68	70 1/4
	RT-1002-STD-HT	N/A	N/A	N/A	70 1/8	72 1/8	74 1/8
E (in)	6 1/2	7 3/8	9 3/8	8 1/4	6 1/8	9 7/8	12 1/2
F (in)	18 3/4	18 3/4	18 3/4	22 1/4	27 1/2	27 1/2	29 1/8
G (in)	21 5/8	21 5/8	21 5/8	26 3/4	31 1/2	31 1/2	33 5/8
Weight w/ RT-252 (lb)	1180	1220	1260	N/A	N/A	N/A	N/A
Weight w/ RT-322 (lb)	1200	1260	1300	N/A	N/A	N/A	N/A
Weight w/ RT-502-STD/HT (lb)	N/A	N/A	N/A	2070	2675	2730	3075
Weight w/ RT-1002-STD-HT (lb)	N/A	N/A	N/A	N/A	2878	2980	3386

Cylinders
 - High pressure with double cushioning and integrated lock valve.
 - Bolt-on cylinder heads for cost effective maintenance.



Contact Us

Rev. 2504.12



Rotobec Inc.
 Head Office
 Tel: 418.383.3002
 Fax: 418.383.5334
 rotobec@rotobec.com

Rotobec West
 Western Canada and Western U.S.A.
 Tel. 250.765.1161
 Fax: 250.765.0035
 rotobec@rotobec.com

Rotobec USA Inc.
 Eastern and Central USA
 Tel: 603.444.2103
 Fax: 603.444.0327
 rotobec@rotobec.com