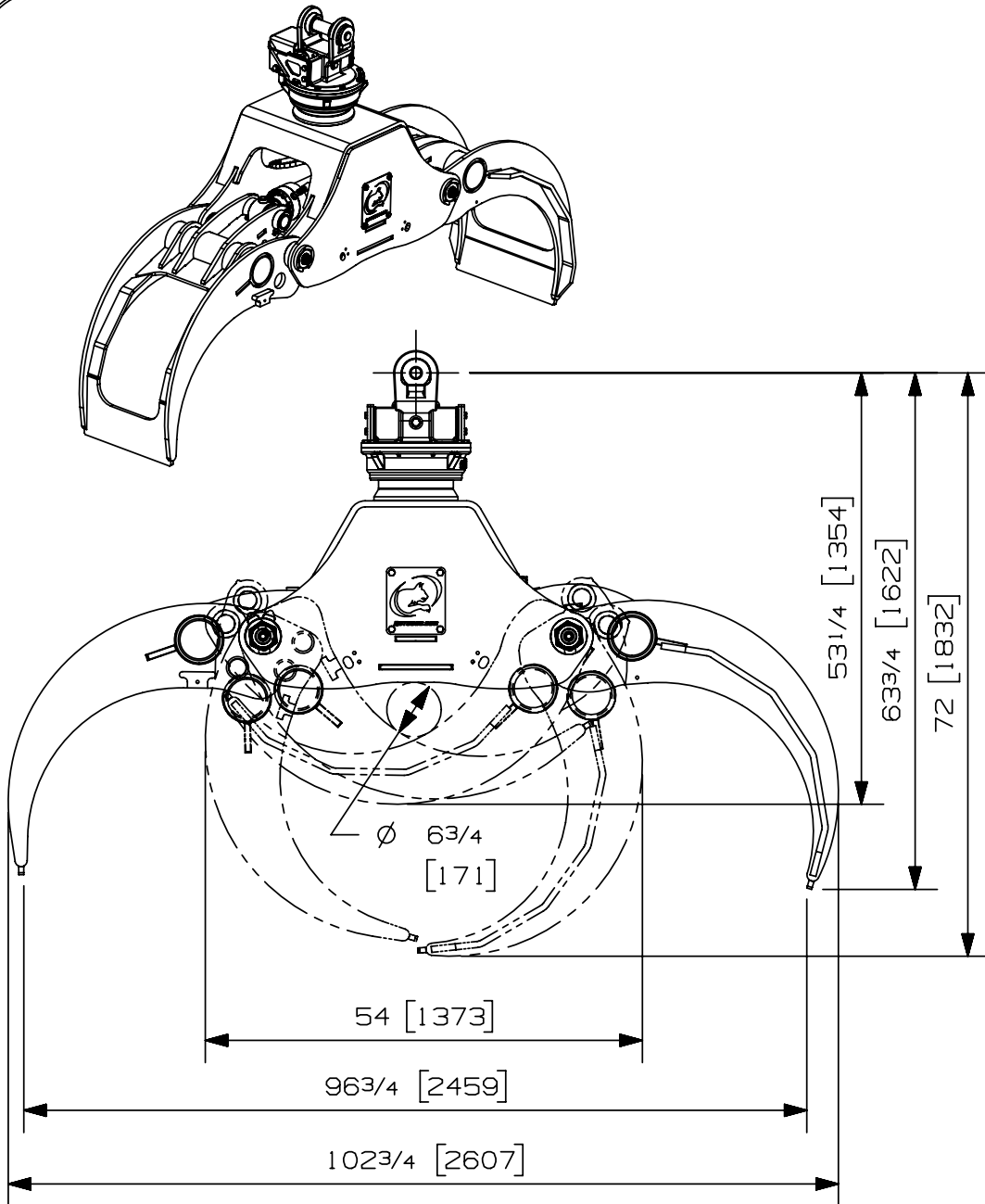


# GRAPPIN A REGROUPEMENT F645HD-A RT-322HT-1 BUNCHING GRAPPLE



## SPECIFICATION TECHNIQUE TECHNICAL DATA

CAPACITE PRATIQUE: PRACTICAL CAPACITY:	.80 m <sup>2</sup> / 8.61 ft <sup>2</sup>
POIDS: WEIGHT:	925 kg / 2030 LB
DIA.DU CYLINDRE: CYLINDER DIAMETER:	101 mm / 4 in
PRESSION MAXIMUM: MAXIMUM PRESSURE:	345 bar / 5000 PSI
DEBIT MAXIMUM: MAXIMUM FLOW:	49 L/min / 18 GPM



# ROTOBEC™